

---

# PRODUCT GUIDE

## *Chapter 11* *Accessories*



2nd edition 2024

Research and Development is a continuous process. Hence, some of the information provided in this PRODUCT GUIDE may have become obsolete with TeraSpin's new developments in technology.

TeraSpin is a business unit of A.T.E. Enterprises Private Limited, a company engaged in the service of the textile industry since 1939. TeraSpin came into existence in 2012 after A.T.E.'s takeover of SKF India's textile spinning component business. Since then it has been innovating and making continual improvements in quality and reliability in the service of spinning mills and machinery manufacturers around the world.

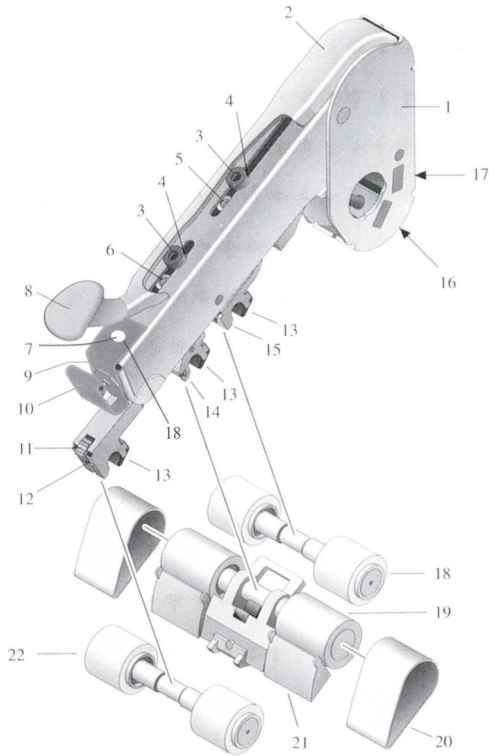
TeraSpin's product range consists of weighting arms, top rollers & cradles for roving frame and ring frame, spindle bearing units and complete spindles for ring frames and doubling frames. TeraSpin also offers customized upgrades for existing ring spinning and roving frames.

Website: [www.teraspin.com](http://www.teraspin.com)  
Email: [sales@teraspin.com](mailto:sales@teraspin.com)

Published by

**A.T.E. ENTERPRISES PRIVATE LIMITED**

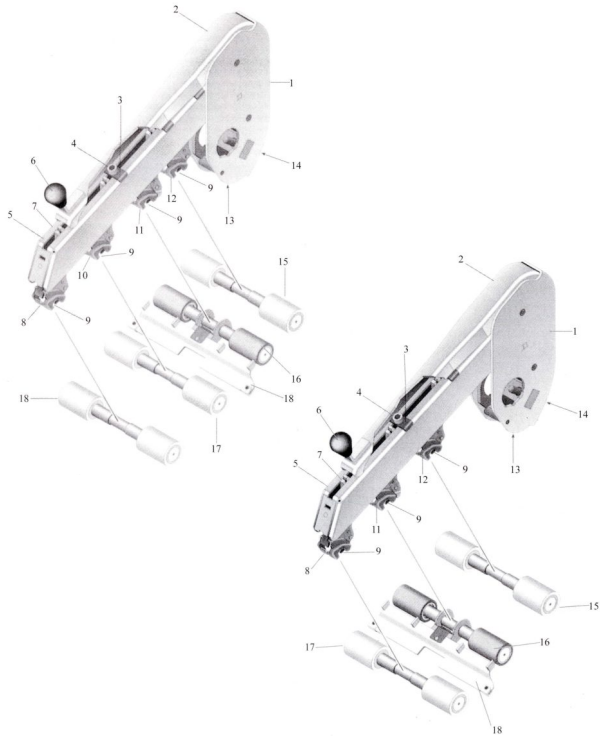
### Accessories for weighting arm for PK 200/2000 series for ring frames



Sr. No.	Description	Product code for weighting arms			
		PK 2025-1251331	PK 2035-1251784	PK 2025-22R	PK 2035-22R
1*	Bracket	-			
2*	Lever	-			
3	Screw for the weighting elements	PS R-8 SCREW			
4	Round washer for the weighting elements	PS E-18 WASHER			
5*	Eccentric load selector for rear weighting element	-			
6*	Eccentric load selector for middle weighting element	-			
7*	Setter for adjusting parallelism of front top roller	-			
8	Knob	NK BLU PK 2025	NK YLW PK 2035	NK MAR PK 2025	NK BLK PK 2035
9*	Frame	-			
10	Clearer roller holder	PF E-87 SPRING			
11	Eccentric load selector	PEX-PK-2000 ECC LDSEL			
12*	Front weighting element	-			
13	Saddle spring	PF E-36 SPRING			
14*	Middle weighting element	-			
15*	Rear weighting element	-			
16	Screw for height setting	PS R-5 SCREW			
17	Locking screw	PS R-6 SCREW			
18	Screw for clearer roller holder	SK 2093/3 SCREW			

\* These parts are not supplied as spares as these can not be replaced at customers' premises without special tools and fixtures

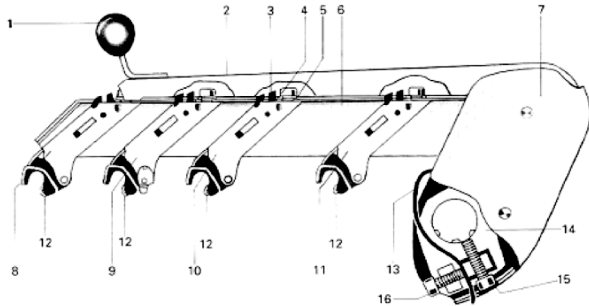
### Accessories for weighting arm for PK 1500 series for roving frames



Sr. No.	Description	Product code for weighting arms			
		PK 1500-0962 604	PK 1500-0962 602	PK 1500-0001938	PK 1500-0001940
1*	Bracket	-			
2*	Hand lever	-			
3	Wing/clamp type washer for weighting element	PS E-20 WASHER			
4	Screw for the weighting elements	PS R-8 screw			
5*	Frame	-			
6	Knob, round shape, black colour	RK BLK PK1500/1600			
7	Eccentric load selector	PEX-PK-1500/1600 ECC LDSEL			
8	Front weighting element	ME-5	ME-5	XR-5	ME-5
9	Saddle spring	PF E-27 SPRING			
10	Middle weighting element 1	-	-	RG 5-0735304	XM 5-1
11	Middle weighting element 2	XM 5-1	XM 5-1	XM 5-1	RG 5-0735304
12	Rear weighting element	RG 5-0735304	RG 5-0735304	XM 5	RG 5-0735304
13	Screw for height setting	SCREW M8 x 20L			
14	Locking screw	PS R-10 SCREW			

\* These parts are not supplied as spares as these can not be replaced at customers' premises without special tools and fixtures

### Accessories for weighting arm for PK 1600 series for roving frames and worsted ring frames



Sr. No.	Description	Product code for weighting arms	
		PK 1600-40	PK 1601-01
1	Knob, round shape, black colour	RK BLK PK1500/1600	
2*	Hand lever	-	
3	Eccentric load selector	PEX-PK-1500/1600 ECC LDSEL	
4	Screw for the weighting elements	PS R-8 SCREW	
5	Wing/clamp type washer for weighting element	PS E-20 WASHER	
6*	Frame	-	
7*	Bracket	-	
8	Front weighting element	ME 5 LD ELEM	MD 5 LD ELEM
9	Middle weighting element 1	XM 5-1 LD ELEM	-
10	Middle weighting element 2	XM 5 LD ELEM	XR 5-1 LD ELEM
11	Rear weighting element	XM 5 LD ELEM	ME 5 LD ELEM
12	Saddle spring	PF E-27 SPRING	
13	Leaf spring	-	PF E-22 SPRING
14*	Adjusting plates	-	
15	Locking screw	PS R-10 SCREW	
16	Screw for height setting	SCREW M8 x 20L	

\* These parts are not supplied as spares as these can not be replaced at customers' premises without special tools and fixtures

### Accessories for cradles and top rollers

Sr. No.	Accessories code	Parent product code	Description
1	OF E-62 SPRING	OH 62-1275254	Cradle spring
2	OF E-4018	OH S 168, OH S 175 OH S 1681	Cradle spring
3	OF E-131 SPRING	OH 131-1272565	Cradle spring
4	OF E-23-121 SPRING	OH 121-000684	Small cradle spring
5	OF E-24-121 SPRING	OH 121-000684	Big cradle spring
6	OF E-36 SPRING	OH 514-000825 and OH 514-000110 (metal)	Cradle spring
7	OF E-514 SPRING	OH 514-1275261	Cradle spring
8	OF E-37 SPRING	OH 534-000825 and OH 534-000110 (metal)	Cradle spring
9	OF E-PA	OH 534-1275268 (polymer)	Cradle spring
10	OF E-34 SPRING	OH 524-000825 and OH 524-000110 (metal)	Cradle spring
11	OF E-0540	OH P 110	Cradle spring
12	OF E-0620	OH P 310	Cradle spring
13	OF E-32 SPRING	OH 554-000075	Leaf spring
14	L DE-00097 (Yellow)	Top rollers of LP series	End cap, yellow colour



**A.T.E. ENTERPRISES PRIVATE LIMITED**

(Business Unit: TeraSpin)

Survey no. 251, Sarkhej Bavla Highway (N.H. no. 8A)

Village: Sari, Taluka: Sanand, Ahmedabad - 382 220, India