

TeraSpin Premium series spindles

TeraSpin introduces new Premium series spindles manufactured with a high level of precision and superior quality of components.

TeraSpin Premium series spindles are of two types:

1. Premium spindles
2. Premium ES (Energy Saving) spindles

Premium spindles

TeraSpin Premium spindles are specially designed for smooth running even at high spindle speeds. Optimisation of various design parameters, a high level of manufacturing precision, and high quality German components reduce the vibration and noise level of the spindle.

TeraSpin Premium spindles may be equipped with HF 1/HF 100 spindle bearing units with a minimum 18.5 mm wharve diameter, and also with HF21 spindle bearing units with a minimum 20.2 mm wharve diameter.

Premium ES spindles

Since energy cost is a major factor that eats away profits of spinning mills, reduction in energy consumption is a top priority for every spinning mill to stay competitive.

TeraSpin Premium ES spindles are the best solution to reduce spinning energy cost. These spindles, which are available with HF1/HF100 spindle bearing units with 18 mm wharve diameter are specifically designed to reduce energy consumption significantly. The well proven, strong, and sturdy design of HF1/HF100 spindle bearing units make the spindles suitable for both manual and auto doffing machines.

TeraSpin Premium series spindles are available with different options and combinations:

- Spindles for manual doffing ring frames
- Spindles for auto-doffing ring frames
 - with seal-band and cutters
 - with knurling and cutters
- Suitable for 4-spindle tape drives
- Suitable for tangential belt drives
- With self-locking inserts
- With external locking hooks
- Aluminium plug type
- With spring type buttons
- With centrifugal type buttons



Features

- Wharve diameter: 18 mm for Premium ES spindles and 18.5 mm minimum for other Premium spindles
- Suitable for both manual and auto doffing
- Higher level of manufacturing precision for all spindle components
- Only two point contact (at footstep and neck bearing)
- Compact neck bearing manufactured with higher precision
- Optimised damping of spindle vibrations with improved design and German components
- Well proven conical foot step design manufactured with higher precision

Common benefits of Premium and Premium ES spindles

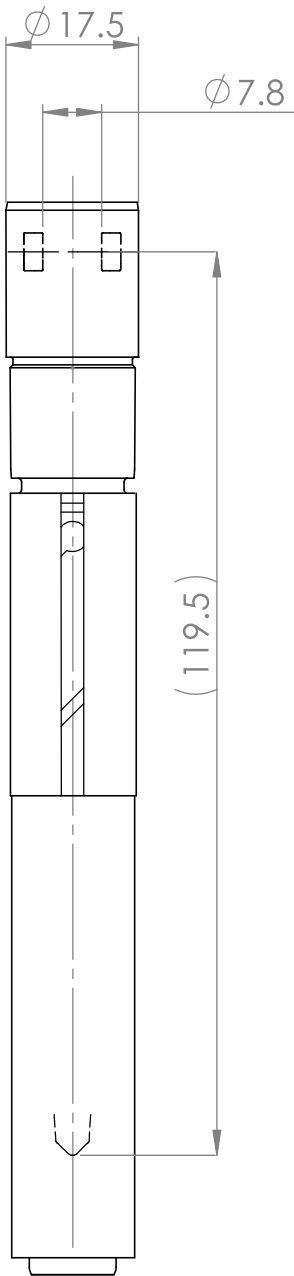
- Low vibrations
- Low noise level
- Long life

Additional benefit of Premium ES spindles

- Significantly lower energy consumption

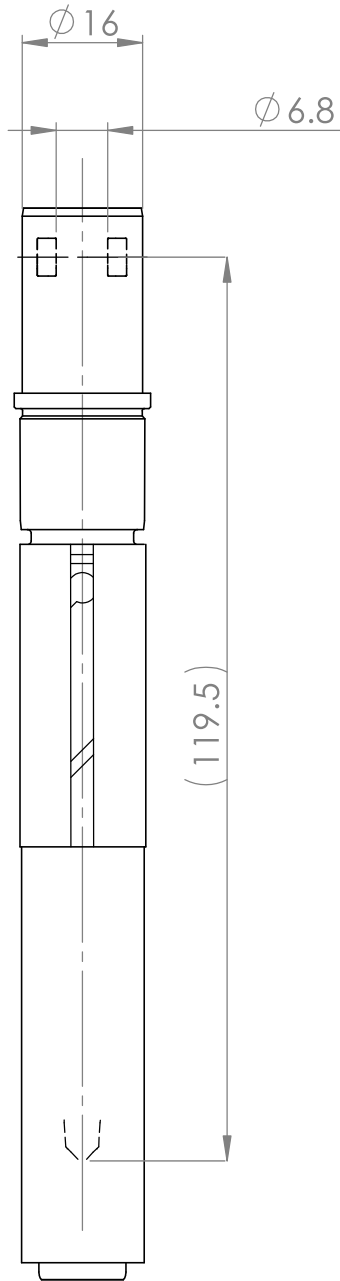
Spindle bearing unit specifications for Premium series spindles

All dimensions are in mm



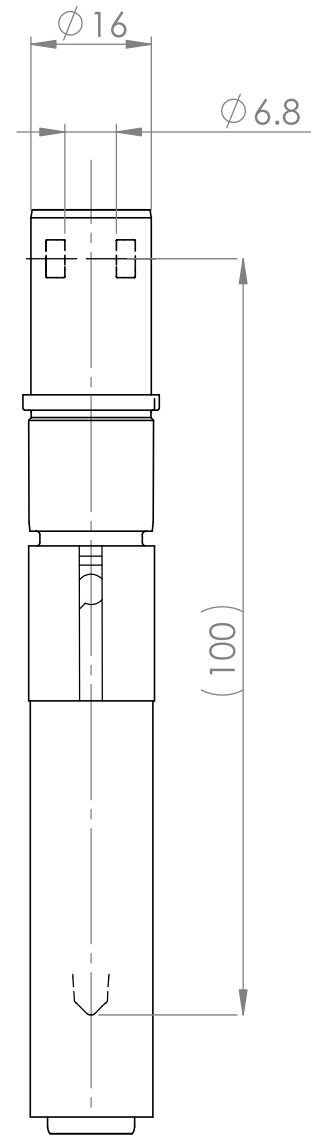
HF21

For speeds up to 20000* rpm



HF1

For speeds up to 22000* rpm



HF100

For speeds up to 25000* rpm

* When used under the right condition

Manufacturing



A.T.E. ENTERPRISES PRIVATE LIMITED

(Business Unit: TeraSpin)
T: +91-2717-699061
E: sales@teraspin.com
W: www.ategroup.com/teraspin

Marketing & Sales



A.T.E. ENTERPRISES PRIVATE LIMITED

T: +91-22-6676 6100 F: +91-22-2673 2445
E: poacc@ateindia.com
W: www.ategroup.com
CIN: U51503MH2001PTC132921

partnering
people & the planet